

# FCP7N60/FCPF7N60/FCPF7N60YDTU

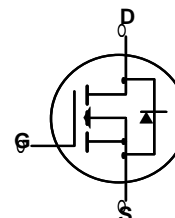
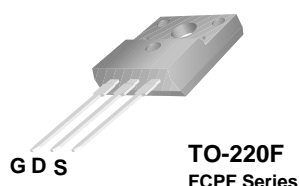
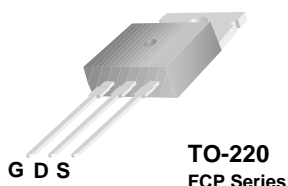
## Features

- 650V @ $T_J = 150^\circ\text{C}$
- Typ.  $R_{ds(on)} = 0.53\Omega$
- Ultra low gate charge (typ.  $Q_g = 25\text{nC}$ )
- Low effective output capacitance (typ.  $C_{oss,eff} = 60\text{pF}$ )
- 100% avalanche tested

## Description

SuperFET™ is, Fairchild's proprietary, new generation of high voltage MOSFET family that is utilizing an advanced charge balance mechanism for outstanding low on-resistance and lower gate charge performance.

This advanced technology has been tailored to minimize conduction loss, provide superior switching performance, and withstand extreme  $dv/dt$  rate and higher avalanche energy. Consequently, SuperFET is very suitable for various AC/DC power conversion in switching mode operation for system miniaturization and higher efficiency.



## Absolute Maximum Ratings

Symbol	Parameter	FCP7N60	FCPF7N60	Unit
$V_{DSS}$	Drain-Source Voltage	600		V
$I_D$	Drain Current - Continuous ( $T_C = 25^\circ\text{C}$ ) - Continuous ( $T_C = 100^\circ\text{C}$ )	7	7*	A
		4.4	4.4*	A
$I_{DM}$	Drain Current - Pulsed (Note 1)	21	21*	A
$V_{GSS}$	Gate-Source voltage	$\pm 30$		V
$E_{AS}$	Single Pulsed Avalanche Energy (Note 2)	230		mJ
$I_{AR}$	Avalanche Current (Note 1)	7		A
$E_{AR}$	Repetitive Avalanche Energy (Note 1)	8.3		mJ
$dv/dt$	Peak Diode Recovery $dv/dt$ (Note 3)	4.5		V/ns
$P_D$	Power Dissipation ( $T_C = 25^\circ\text{C}$ ) - Derate above $25^\circ\text{C}$	83	31	W
		0.67	0.25	W/ $^\circ\text{C}$
$T_J, T_{STG}$	Operating and Storage Temperature Range	-55 to +150		$^\circ\text{C}$
$T_L$	Maximum Lead Temperature for Soldering Purpose, 1/8" from Case for 5 Seconds	300		$^\circ\text{C}$

\*Drain current limited by maximum junction temperature

## Thermal Characteristics

Symbol	Parameter	FCP7N60	FCPF7N60	Unit
$R_{\theta JC}$	Thermal Resistance, Junction-to-Case	1.5	4.0	$^\circ\text{C}/\text{W}$
$R_{\theta JA}$	Thermal Resistance, Junction-to-Ambient	62.5	62.5	$^\circ\text{C}/\text{W}$

**Package Marking and Ordering Information**

Device Marking	Device	Package	Reel Size	Tape Width	Quantity
FCP7N60	FCP7N60	TO-220	-	-	50
FCPF7N60	FCPF7N60	TO-220F	-	-	50
FCPF7N60	FCPF7N60YDTU	TO-220F (Forming)	-	-	50

**Electrical Characteristics**  $T_C = 25^\circ\text{C}$  unless otherwise noted

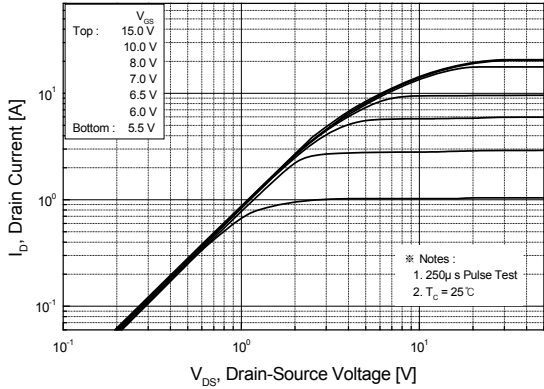
Symbol	Parameter	Conditions	Min	Typ	Max	Units
<b>Off Characteristics</b>						
BV <sub>DSS</sub>	Drain-Source Breakdown Voltage	$V_{GS} = 0\text{V}, I_D = 250\mu\text{A}, T_J = 25^\circ\text{C}$	600	--	--	V
		$V_{GS} = 0\text{V}, I_D = 250\mu\text{A}, T_J = 150^\circ\text{C}$	--	650	--	V
$\frac{\Delta BV_{DSS}}{\Delta T_J}$	Breakdown Voltage Temperature Coefficient	$I_D = 250\mu\text{A}$ , Referenced to $25^\circ\text{C}$	--	0.6	--	V/ $^\circ\text{C}$
BV <sub>DS</sub>	Drain-Source Avalanche Breakdown Voltage	$V_{GS} = 0\text{V}, I_D = 7\text{A}$	--	700	--	V
I <sub>DSS</sub>	Zero Gate Voltage Drain Current	$V_{DS} = 600\text{V}, V_{GS} = 0\text{V}$	--	--	1	$\mu\text{A}$
		$V_{DS} = 480\text{V}, T_C = 125^\circ\text{C}$	--	--	10	$\mu\text{A}$
I <sub>GSSF</sub>	Gate-Body Leakage Current, Forward	$V_{GS} = 30\text{V}, V_{DS} = 0\text{V}$	--	--	100	nA
I <sub>GSSR</sub>	Gate-Body Leakage Current, Reverse	$V_{GS} = -30\text{V}, V_{DS} = 0\text{V}$	--	--	-100	nA
<b>On Characteristics</b>						
V <sub>GS(th)</sub>	Gate Threshold Voltage	$V_{DS} = V_{GS}, I_D = 250\mu\text{A}$	3.0	--	5.0	V
R <sub>DS(on)</sub>	Static Drain-Source On-Resistance	$V_{GS} = 10\text{V}, I_D = 3.5\text{A}$	--	0.53	0.6	$\Omega$
g <sub>FS</sub>	Forward Transconductance	$V_{DS} = 40\text{V}, I_D = 3.5\text{A}$	--	6	--	S
<b>Dynamic Characteristics</b>						
C <sub>iss</sub>	Input Capacitance	$V_{DS} = 25\text{V}, V_{GS} = 0\text{V}, f = 1.0\text{MHz}$	--	710	920	pF
C <sub>oss</sub>	Output Capacitance		--	380	500	pF
C <sub>rss</sub>	Reverse Transfer Capacitance		--	34	--	pF
C <sub>oss</sub>	Output Capacitance	$V_{DS} = 480\text{V}, V_{GS} = 0\text{V}, f = 1.0\text{MHz}$	--	22	29	pF
C <sub>oss eff.</sub>	Effective Output Capacitance	$V_{DS} = 0\text{V to } 400\text{V}, V_{GS} = 0\text{V}$	--	60	--	pF
<b>Switching Characteristics</b>						
t <sub>d(on)</sub>	Turn-On Delay Time	$V_{DD} = 300\text{V}, I_D = 7\text{A}, R_G = 25\Omega$	--	35	80	ns
t <sub>r</sub>	Turn-On Rise Time		--	55	120	ns
t <sub>d(off)</sub>	Turn-Off Delay Time		--	75	160	ns
t <sub>f</sub>	Turn-Off Fall Time		(Note 4)	--	32	75
Q <sub>g</sub>	Total Gate Charge	$V_{DS} = 480\text{V}, I_D = 7\text{A}, V_{GS} = 10\text{V}$	--	23	30	nC
Q <sub>gs</sub>	Gate-Source Charge		--	4.2	5.5	nC
Q <sub>gd</sub>	Gate-Drain Charge		(Note 4)	--	11.5	--
<b>Drain-Source Diode Characteristics and Maximum Ratings</b>						
I <sub>S</sub>	Maximum Continuous Drain-Source Diode Forward Current		--	--	7	A
I <sub>SM</sub>	Maximum Pulsed Drain-Source Diode Forward Current		--	--	21	A
V <sub>SD</sub>	Drain-Source Diode Forward Voltage	$V_{GS} = 0\text{V}, I_S = 7\text{A}$	--	--	1.4	V
t <sub>rr</sub>	Reverse Recovery Time	$V_{GS} = 0\text{V}, I_S = 7\text{A}, di_F/dt = 100\text{A}/\mu\text{s}$	--	360	--	ns
Q <sub>rr</sub>	Reverse Recovery Charge		--	4.5	--	$\mu\text{C}$

**NOTES:**

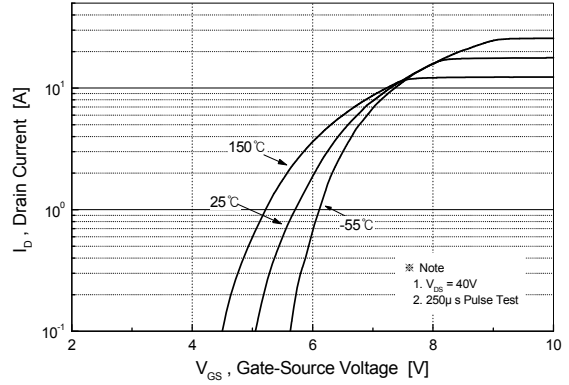
1. Repetitive Rating: Pulse width limited by maximum junction temperature
2.  $I_{AS} = 3.5\text{A}, V_{DD} = 50\text{V}, R_G = 25\Omega$ , Starting  $T_J = 25^\circ\text{C}$
3.  $I_{SD} \leq 7\text{A}, di/dt \leq 200\text{A}/\mu\text{s}, V_{DD} \leq BV_{DSS}$ , Starting  $T_J = 25^\circ\text{C}$
4. Essentially Independent of Operating Temperature Typical Characteristics

## Typical Performance Characteristics

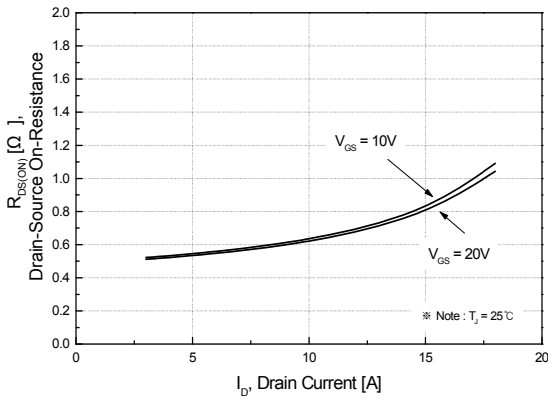
**Figure 1. On-Region Characteristics**



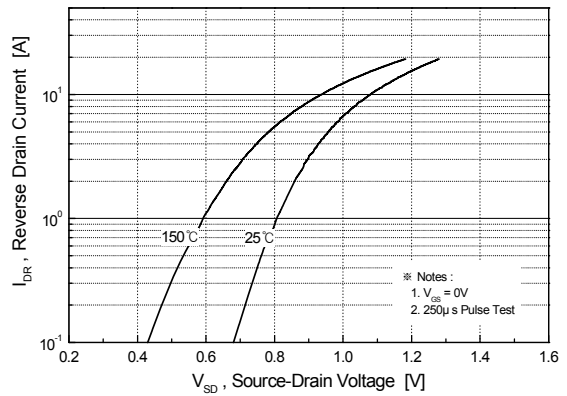
**Figure 2. Transfer Characteristics**



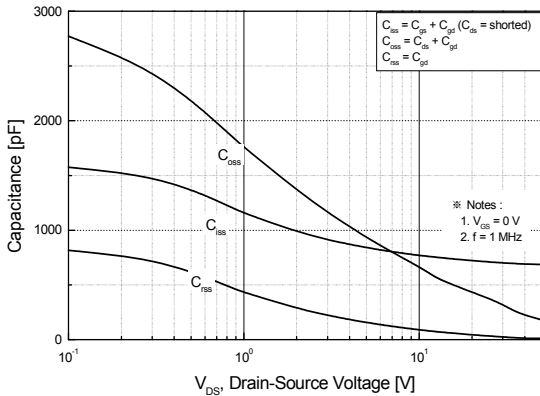
**Figure 3. On-Resistance Variation vs. Drain Current and Gate Voltage**



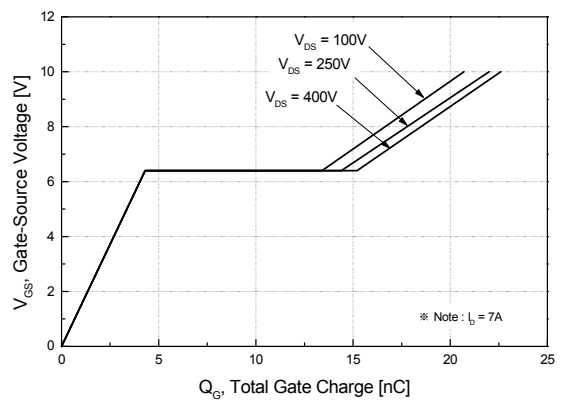
**Figure 4. Body Diode Forward Voltage Variation vs. Source Current and Temperature**



**Figure 5. Capacitance Characteristics**



**Figure 6. Gate Charge Characteristics**



Typical Performance Characteristics (Continued)

Figure 7. Breakdown Voltage Variation vs. Temperature

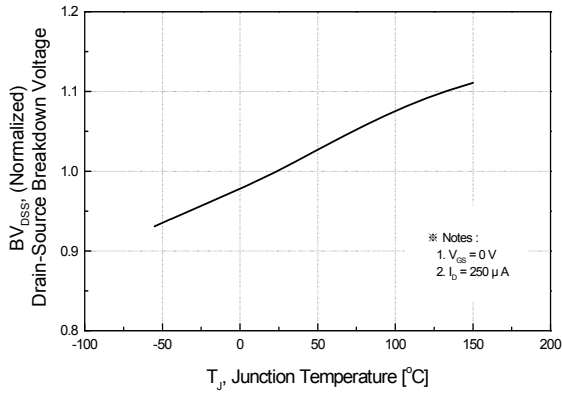


Figure 8. On-Resistance Variation vs. Temperature

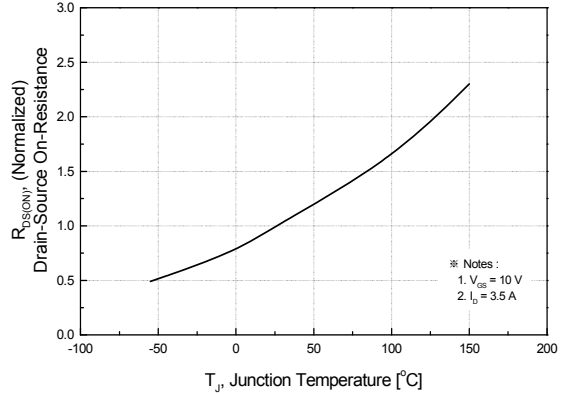


Figure 9-1. Maximum Safe Operating Area for FCP7N60

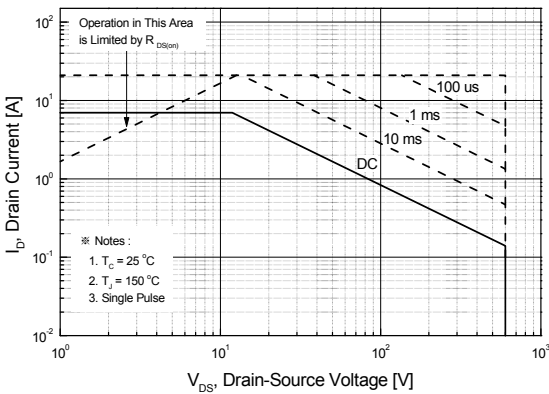


Figure 9-2. Maximum Safe Operating Area for FCPF7N60

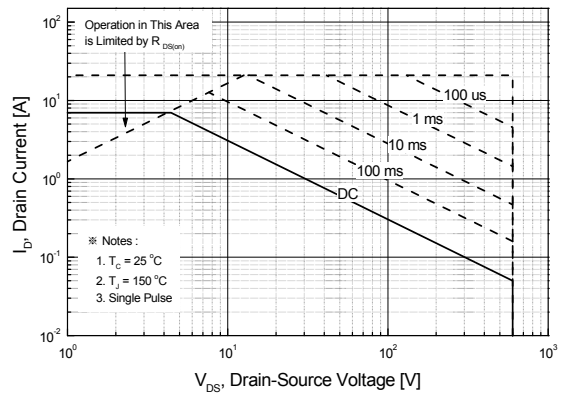
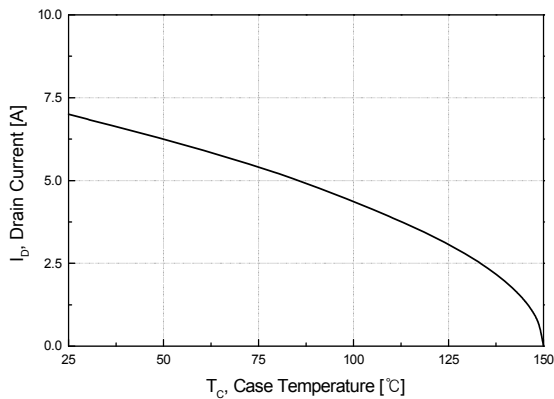


Figure 10. Maximum Drain Current vs. Case Temperature



Typical Performance Characteristics (Continued)

Figure 11-1. Transient Thermal Response Curve for FCP7N60

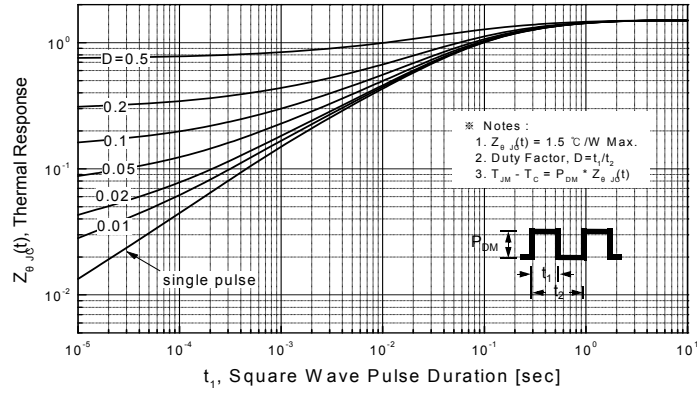
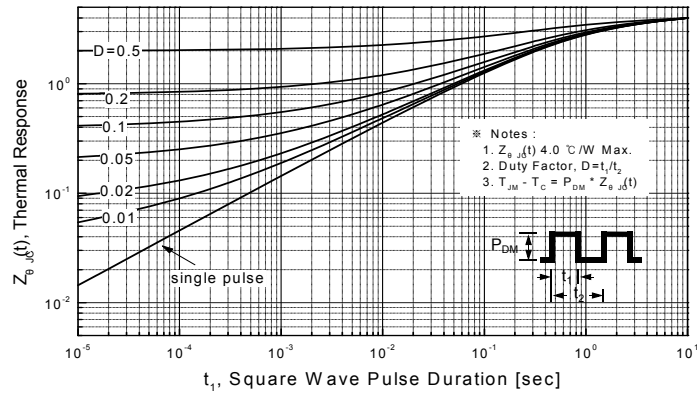
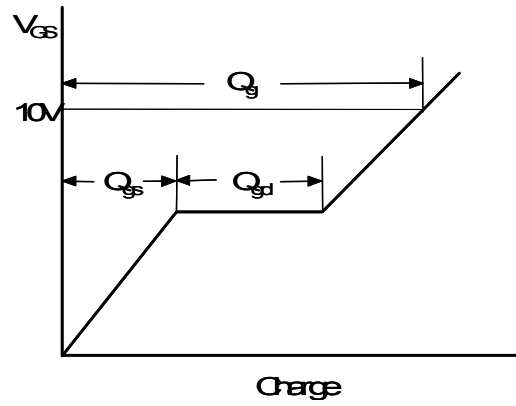
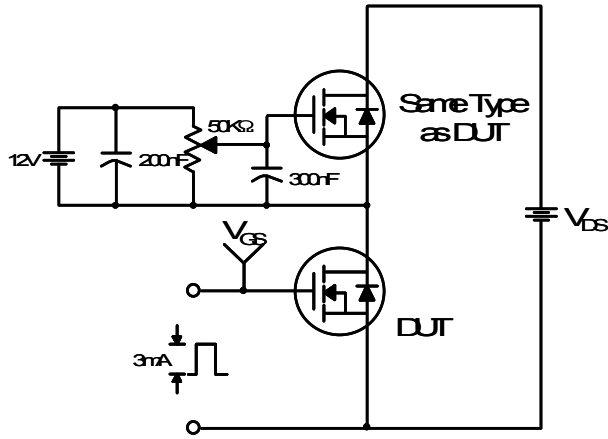


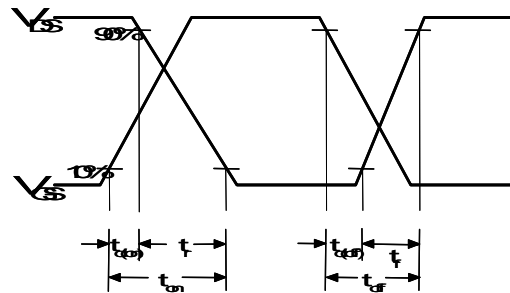
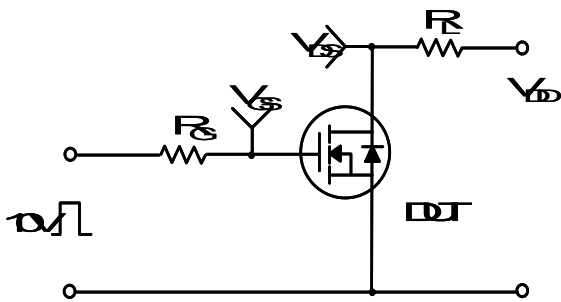
Figure 11-2. Transient Thermal Response Curve for FCPF7N60



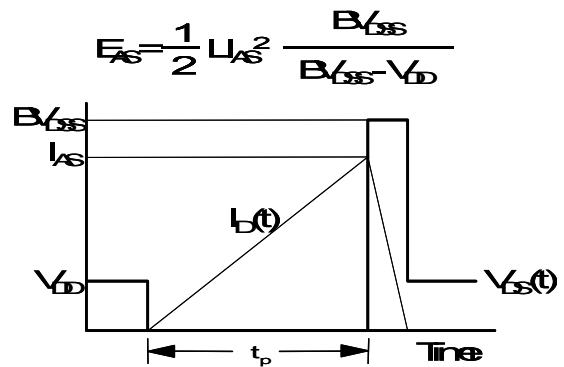
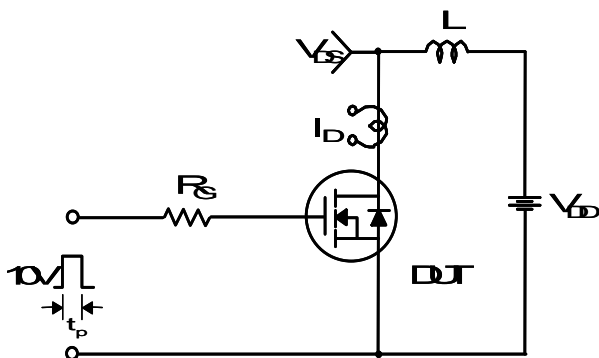
Gate Charge Test Circuit & Waveform



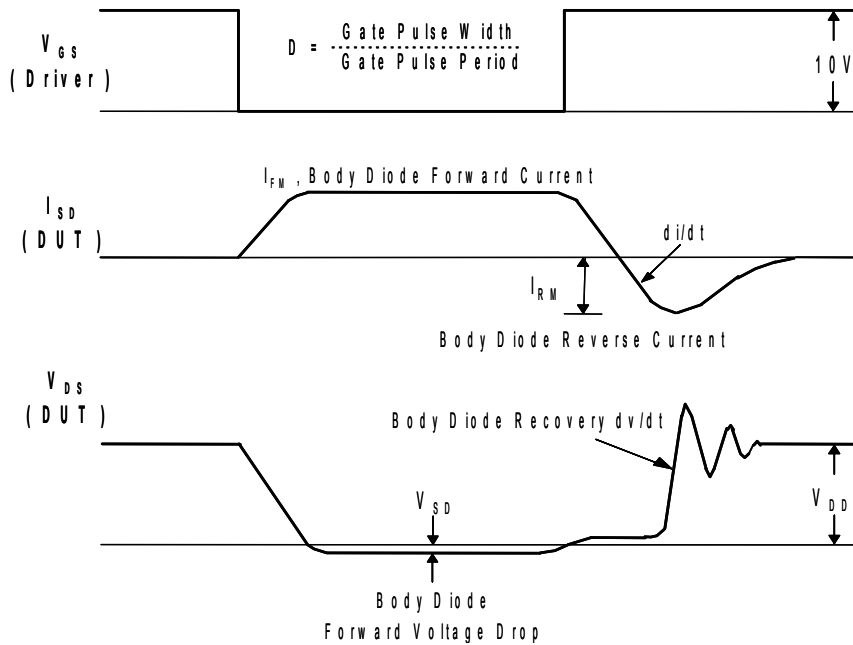
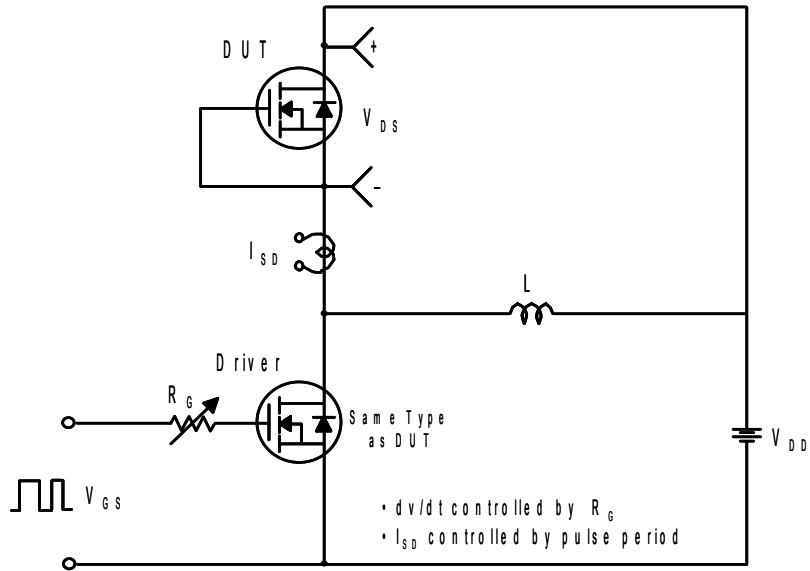
Resistive Switching Test Circuit & Waveforms



Unclamped Inductive Switching Test Circuit & Waveforms

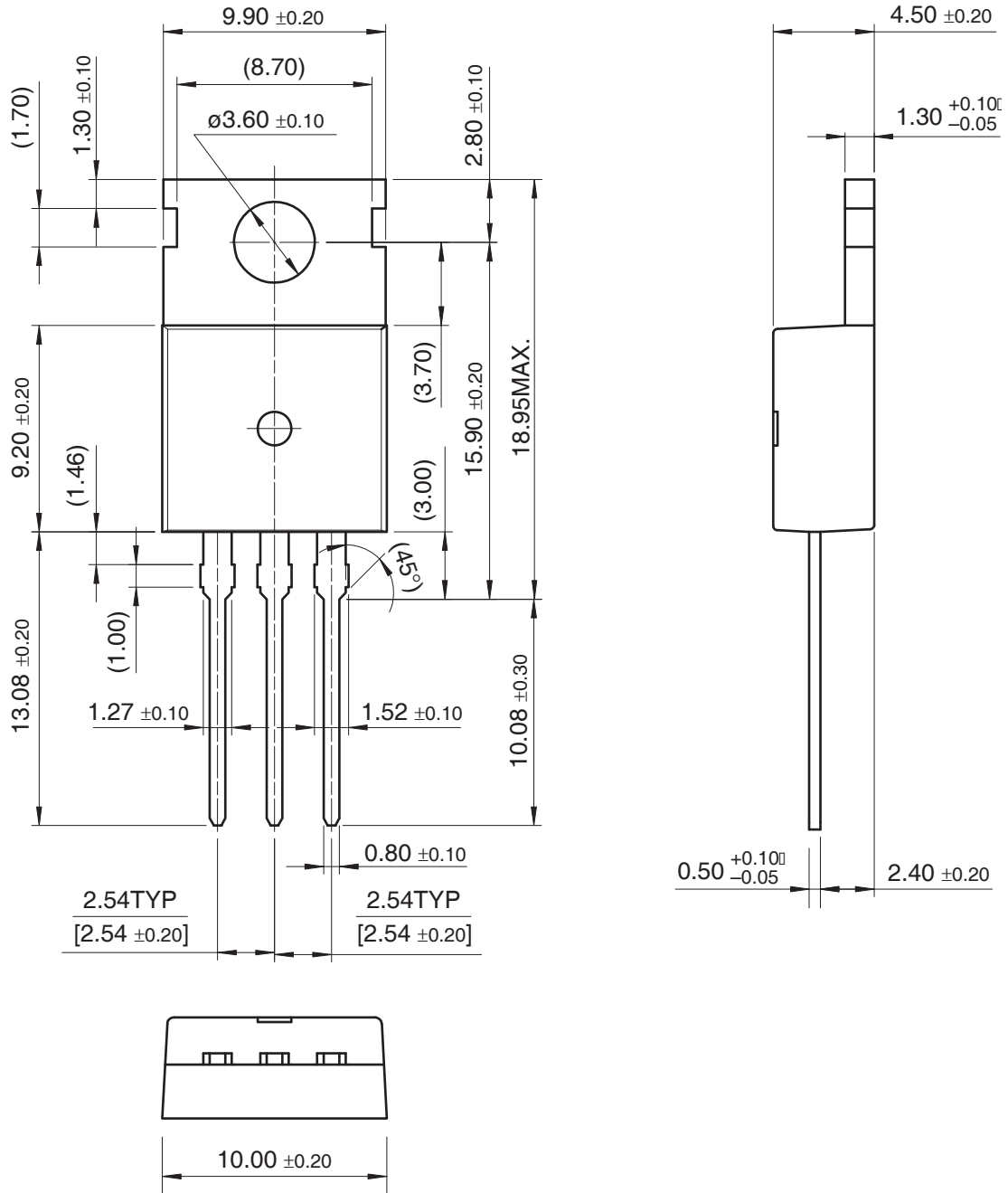


Peak Diode Recovery dv/dt Test Circuit & Waveforms



Mechanical Dimensions

TO-220

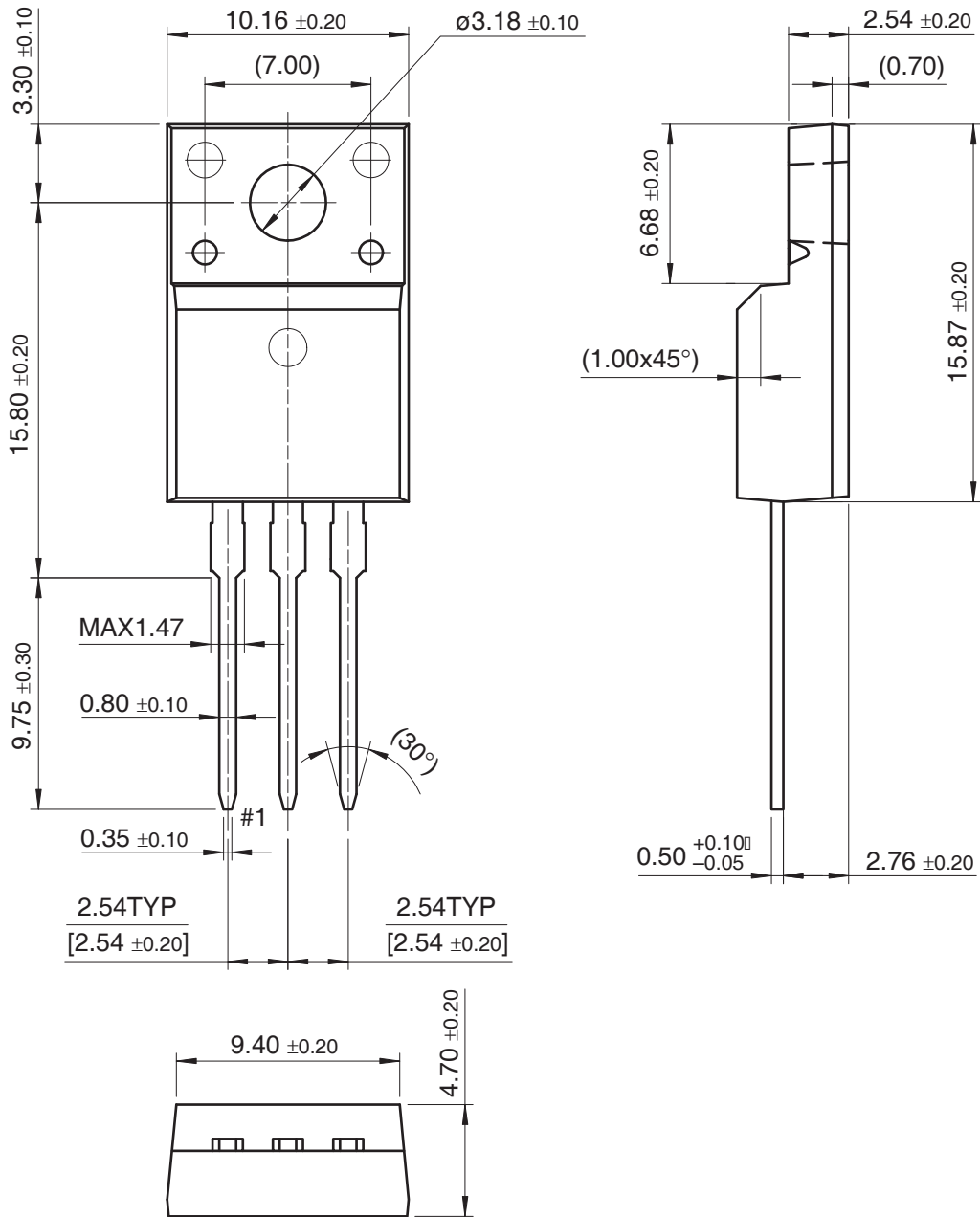


Dimensions in Millimeters



Mechanical Dimensions (Continued)

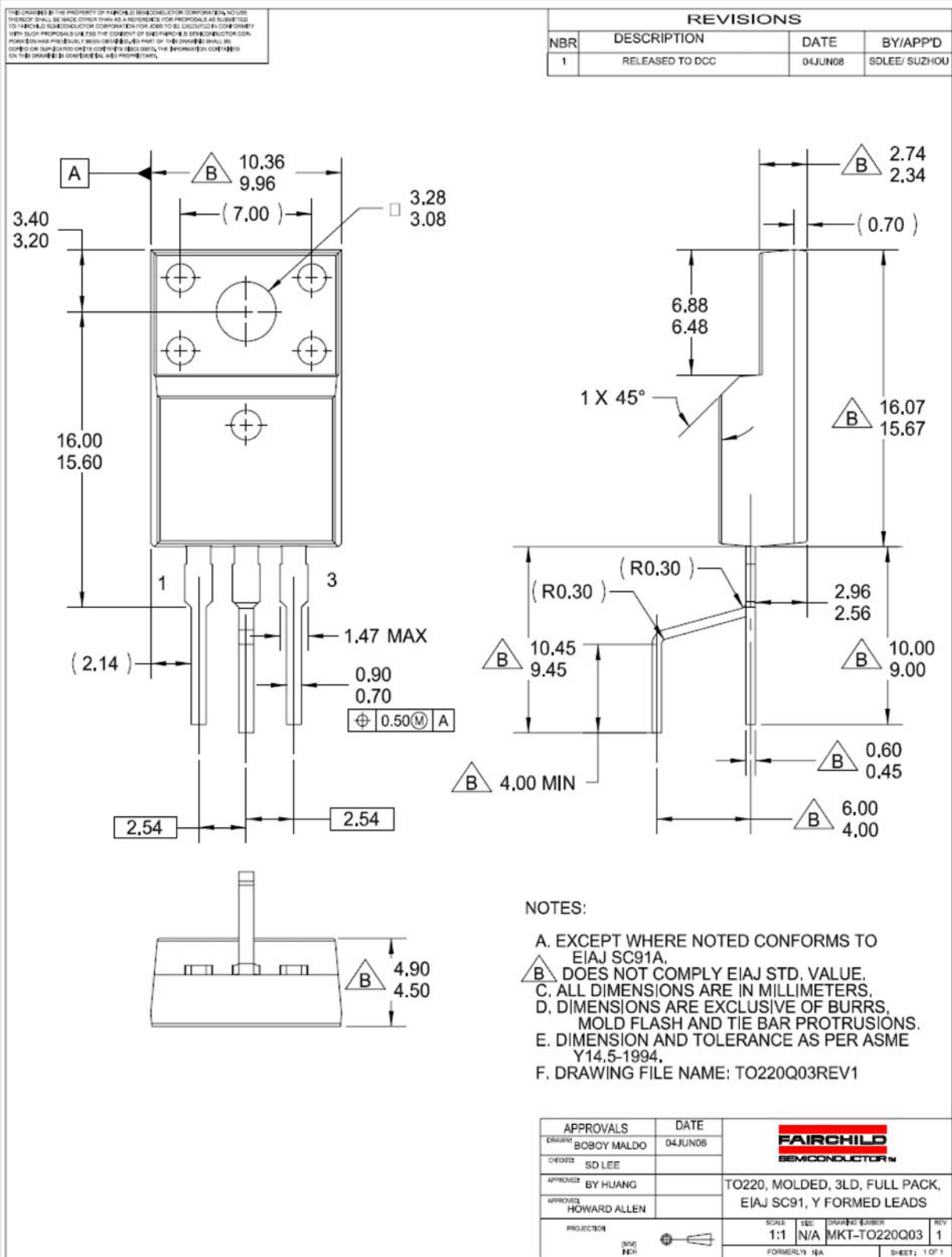
TO-220F



Dimensions in Millimeters

Mechanical Dimensions (Continued)

TO-220F (Y Forming)



**NOTES:**

A. EXCEPT WHERE NOTED CONFORMS TO EIAJ SC91A.

B. DOES NOT COMPLY EIAJ STD. VALUE.

C. ALL DIMENSIONS ARE IN MILLIMETERS.

D. DIMENSIONS ARE EXCLUSIVE OF BURRS, MOLD FLASH AND TIE BAR PROTRUSIONS.

E. DIMENSION AND TOLERANCE AS PER ASME Y14.5-1994.

F. DRAWING FILE NAME: TO220Q03REV1

APPROVALS	DATE
DESIGNED: BOBOY MALDO	04JUN08
CHECKED: SD LEE	
APPROVED: BY HUANG	
APPROVED: HOWARD ALLEN	

TO220, MOLDED, 3LD, FULL PACK,  
EIAJ SC91, Y FORMED LEADS

PROJECTION	SCALE
(MKT)	1:1

DRAWING NUMBER	REV	FORMERLY N/A
MKT-TO220Q03	1	FORMERLY N/A

**TRADEMARKS**

The following are registered and unregistered trademarks Fairchild Semiconductor owns or is authorized to use and is not intended to be an exhaustive list of all such trademarks.

ACEx™	FAST®	ISOPLANAR™	Power247™	Stealth™
ActiveArray™	FASTr™	LittleFET™	PowerEdge™	SuperFET™
Bottomless™	FPS™	MICROCOUPLER™	PowerSaver™	SuperSOT™-3
CoolFET™	FRFET™	MicroFET™	PowerTrench®	SuperSOT™-6
CROSSVOLT™	GlobalOptoisolator™	MicroPak™	QFET®	SuperSOT™-8
DOME™	GTO™	MICROWIRE™	QS™	SyncFET™
EcoSPARK™	HiSeC™	MSX™	QT Optoelectronics™	TinyLogic®
E <sup>2</sup> C MOS™	I <sup>2</sup> C™	MSXPro™	Quiet Series™	TINYOPTO™
EnSigna™	i-Lo™	OCX™	RapidConfigure™	TruTranslation™
FACT™	ImpliedDisconnect™	OCXPro™	RapidConnect™	UHC™
FACT Quiet Series™		OPTOLOGIC®	μSerDes™	UltraFET®
Across the board. Around the world.™		OPTOPLANAR™	SILENT SWITCHER®	UniFET™
The Power Franchise®		PACMAN™	SMART START™	VCX™
Programmable Active Droop™		POP™	SPM™	

**DISCLAIMER**

FAIRCHILD SEMICONDUCTOR RESERVES THE RIGHT TO MAKE CHANGES WITHOUT FURTHER NOTICE TO ANY PRODUCTS HEREIN TO IMPROVE RELIABILITY, FUNCTION OR DESIGN. FAIRCHILD DOES NOT ASSUME ANY LIABILITY ARISING OUT OF THE APPLICATION OR USE OF ANY PRODUCT OR CIRCUIT DESCRIBED HEREIN; NEITHER DOES IT CONVEY ANY LICENSE UNDER ITS PATENT RIGHTS, NOR THE RIGHTS OF OTHERS.

**LIFE SUPPORT POLICY**

FAIRCHILD'S PRODUCTS ARE NOT AUTHORIZED FOR USE AS CRITICAL COMPONENTS IN LIFE SUPPORT DEVICES OR SYSTEMS WITHOUT THE EXPRESS WRITTEN APPROVAL OF FAIRCHILD SEMICONDUCTOR CORPORATION.

As used herein:

1. Life support devices or systems are devices or systems which, (a) are intended for surgical implant into the body, or (b) support or sustain life, or (c) whose failure to perform when properly used in accordance with instructions for use provided in the labeling, can be reasonably expected to result in significant injury to the user.
2. A critical component is any component of a life support device or system whose failure to perform can be reasonably expected to cause the failure of the life support device or system, or to affect its safety or effectiveness.

**PRODUCT STATUS DEFINITIONS**

**Definition of Terms**

Datasheet Identification	Product Status	Definition
Advance Information	Formative or In Design	This datasheet contains the design specifications for product development. Specifications may change in any manner without notice.
Preliminary	First Production	This datasheet contains preliminary data, and supplementary data will be published at a later date. Fairchild Semiconductor reserves the right to make changes at any time without notice in order to improve design.
No Identification Needed	Full Production	This datasheet contains final specifications. Fairchild Semiconductor reserves the right to make changes at any time without notice in order to improve design.
Obsolete	Not In Production	This datasheet contains specifications on a product that has been discontinued by Fairchild semiconductor. The datasheet is printed for reference information only.

Rev. I14